

<b>QXi s /A:</b>	<b>(circle / check/ write in) / B</b>	<b>/N /F /C /G /D /L /E</b>	<b>/O</b>	<b>/W</b>	<b>/V VISIBLTY/HAZE/GEN.ATMOS.SMOKE</b>
/RPT[#] NCS ASSIGNS # Call sign Prefix Suffix Via Relay thru Rptg as: -Individ -Area Lead -Area Coord	→ SAY – <b>REPORT, FMT TANGO 4</b> → DIV: 1 2 3 4 5 N or S → AREA: _____ [AREA TACTICAL _____] → SATELITE _____ SECTION _____ [#] → # STNS REPORTING _____ → [options] [be specific as to where RPT FROM] • QTH B (=home). • QTH N (=AREA SUM. RPT From Neighborhood Area Lead) • QTH Address: _____ X street: _____ • QTH Hwy/Rd/ _____ QTH Mi Mkr _____ • QTH Lat/long: _____ • QTH Section: _____ Township _____ Range _____	→ /N <b>NO SMOKE / FIRE OR EMBERS VISBLE</b> • /TLV [TERRAIN LIMITING VIEW] <b>OR</b> • /F <b>FIRE VISIBLE</b> • /C <b>COLUMN / PLUME OF SMOKE VISIBLE</b> • /G <b>COLUMN / PLUME OF SMOKE GOING Verticle.</b> • /D <b>Direction / Bearing may not be accurate – can't see base .</b> • /L <b>Direction / Bearing may not be accurate – COLUMN / PLUME LEANG: N NE E SE S SW W NW.</b> • /E <b>EMBERS VISIBLE IN AIR</b> • /AZ <b>DIRECTION</b> for above • M <b>T</b> AZIMUTH/BEARING from my QTH. • /ML _____ EST. MILES	→ /O <b>SMOKE ODOR</b> • /NP _____ = NONE PRESENT • /LT _____ = LIGHT • /MOD _____ = Moderate • /HVY _____ = HEAVY -STRONG	→ /W <b>Wind OUT OF:</b> [CIRCLE] "NORTH" "EAST" "SOUTH" "WEST" • /AZ _____ Direct [Av. DEGREES] M <b>T</b> • /VAR M <b>T</b> WIND SPEED [INSERT MPH] • /MPH _____	→ /V <b>GENERAL ATMOSPHERIC SMOKE HAZE CONDITIONS: [SEE FMT M7]</b> • /NP = <b>NONE PRESENT</b> • /ADS <b>All Direc.Same</b> • /LT /MOD /HVY _____ • /SPT = <b>SPOT</b> @ • /AZ _____ T _____ M _____ • /ML _____ EST miles • /LT /MOD /HVY _____ • /GA (GEN AREA) • /AZ _____ T _____ M _____ OR "N" "E" "S" "W" • /NP /LT /MOD /HVY _____ • /AZ _____ T _____ M _____ OR "N" "E" "S" "W" • /NP /LT /MOD /HVY _____

**SMOKE CHECK REPORT INTAKE FORM - COMPLETE EACH COLUMN - PLAIN ENGLISH - READ ATTACHED INSTRUCTIONS**

**TRIANGULATION STNS: POST TO MAP (FMT ROMEO 9A) AND FMT KILO.**

←----- CUT HERE -----→      ←----- CUT HERE -----→      ←----- CUT HERE -----→      ←----- CUT HERE -----→

<b>QXi s /A:</b>	<b>(circle / check/ write in) / B</b>	<b>/N /F /C /G /D /L /E</b>	<b>/O</b>	<b>/W</b>	<b>/V VISIBLTY/HAZE/GEN.ATMOS.SMOKE</b>
/RPT[#] NCS ASSIGNS # Call sign Prefix Suffix Via Relay thru Rptg as: -Individ -Area Lead -Area Coord	→ SAY – <b>REPORT, FMT TANGO 4</b> → DIV: 1 2 3 4 5 N or S → AREA: _____ [AREA TACTICAL _____] → SATELITE _____ SECTION _____ [#] → # STNS REPORTING _____ → [options] [be specific as to where RPT FROM] • QTH B (=home). • QTH N (=AREA SUM. RPT From Neighborhood Area Lead) • QTH Address: _____ X street: _____ • QTH Hwy/Rd/ _____ QTH Mi Mkr _____ • QTH Lat/long: _____ • QTH Section: _____ Township _____ Range _____	→ /N <b>NO SMOKE / FIRE OR EMBERS VISBLE</b> • /TLV [TERRAIN LIMITING VIEW] <b>OR</b> • /F <b>FIRE VISIBLE</b> • /C <b>COLUMN / PLUME OF SMOKE VISIBLE</b> • /G <b>COLUMN / PLUME OF SMOKE GOING Verticle.</b> • /D <b>Direction / Bearing may not be accurate – can't see base .</b> • /L <b>Direction / Bearing may not be accurate – COLUMN / PLUME LEANG: N NE E SE S SW W NW.</b> • /E <b>EMBERS VISIBLE IN AIR</b> • /AZ <b>DIRECTION</b> for above • M <b>T</b> AZIMUTH/BEARING from my QTH. • /ML _____ EST. MILES	→ /O <b>SMOKE ODOR</b> • /NP _____ = NONE PRESENT • /LT _____ = LIGHT • /MOD _____ = Moderate • /HVY _____ = HEAVY -STRONG	→ /W <b>Wind OUT OF:</b> [CIRCLE] "NORTH" "EAST" "SOUTH" "WEST" • /AZ _____ Direct [Av. DEGREES] M <b>T</b> • /VAR M <b>T</b> WIND SPEED [INSERT MPH] • /MPH _____	→ /V <b>GENERAL ATMOSPHERIC SMOKE HAZE CONDITIONS: [SEE FMT M7]</b> • /NP = <b>NONE PRESENT</b> • /ADS <b>All Direc.Same</b> • /LT /MOD /HVY _____ • /SPT = <b>SPOT</b> @ • /AZ _____ T _____ M _____ • /ML _____ EST miles • /LT /MOD /HVY _____ • /GA (GEN AREA) • /AZ _____ T _____ M _____ OR "N" "E" "S" "W" • /NP /LT /MOD /HVY _____ • /AZ _____ T _____ M _____ OR "N" "E" "S" "W" • /NP /LT /MOD /HVY _____

**SMOKE CHECK REPORT INTAKE FORM - COMPLETE EACH COLUMN - PLAIN ENGLISH - READ ATTACHED INSTRUCTIONS**

**TRIANGULATION STNS: POST TO MAP (FMT ROMEO 9A) AND FMT KILO.**

←----- CUT HERE -----→      ←----- CUT HERE -----→      ←----- CUT HERE -----→      ←----- CUT HERE -----→

• /Api (QTH) \_\_\_\_\_ [index value] \_\_\_\_\_ [If have computr]  
 EG., "API ORION 43" [AIR PARTICULATE INDEX] FMT M7D

<b>SMOKE CHECK REPORT – STN Taking Rpts:</b>		Call Sign: _____ Enter info ✓ Applicable Col		<b>QXi S</b> [Circle Net Freq.] <b>RPT PG. ___ OF ___</b>							
General Area: _____ THIS IS NOT 911 – IF YOU HAVE AN EMERGENCY CALL 911 !		Date: ____/____/____ HRS Start: _____ HRS Stop: _____ Incident Name (if any): _____		FREQ PLAN ✓ LIST: 760___ xxx___ 165___ 505___ [ALERT_NO NETS]							
"NCS": _____ (CALL SIGN) "Aux": _____ "AREA LEAD" _____ " _____ (TACTICAL) RELAY"/"BU" "RELAY CONTRL" _____ (CALL SIGN)		<b>IS - FIRE, SMOKE COL. SMOKE CLOUD -VISIBLE?</b>	<b>SMOKE ODOR</b>	<b>WIND OUT OF and MPH</b>	<b>GEN. ATMOSPHERIC SMOKE / HAZE CONDIT. ViSIBILITY [see FMT M7]</b>						
ENTER SPECIFIC QTH FROM WHICH THE REPORT BEING SENT & INFO. [E.G., Street / Cross Streets / address / HGHY & Mile MKR (see FMT ROMEO 6), Lat / Long] <b>CALL 911 FIRST !</b> <b>ORIG RPT-PLAIN ENGLISH USING FORM TERMS.</b> FOR REPORT RELAY, use ":" (COLON) as separator between rept sections. E.G., "REPORT FMT TANGO 4 (SMOKE REPORT) /A k6pds : /B DIV 3 N Village QTH B 1 STN REPORTING : /N : /O/NP : /W E /AZ 080 T /MPH 5 : /V /NP . OVER"		Dirction /AZIMUTH /BEARING FROM YOUR QTH [use 3 digits] 	/NP ___ = NONE PRESENT /LT ___ = LIGHT /MOD ___ = Modrate /HVY ___ = HEAVY - STRONG	Enter Direction 	Enter LEVELS & DIRECTION [ /AZ ___ ] FROM YOUR QTH /NP = NONE PRESENT /LT = LIGHT /MOD = MODERATE /HVY = HEAVY-STRONG NW ___ N NE W ___ E SW ___ SE S						
<b>QXi S /A:</b> (circle / check/ write in) / <b>B</b> :		<b>/N /F /C /G /D /L /E :</b>		<b>/O :</b>		<b>/W :</b>		<b>/V VISIBILTY/HAZE/GEN.ATMOS.SMOKE):</b>			
/RPT[# ] _____ NCS ASSIGNS # _____ Call sign Prefix _____ Suffix _____ Via Relay thru _____ Reptg as: _____ -Individ _____ -Area Lead _____ -Area Coord _____		SAY – <b>REPORT, FMT TANGO 4</b> DIV: 1 2 3 4 5 N or S AREA: _____ [AREA TACTICAL _____] SATELITE _____ SECTION _____[#] # STNS REPORTING _____ [options] [be specific as to where RPT FROM] QTH B (=home). QTH N (=AREA SUM. RPT From Neighborhood Area Lead) QTH Address: _____ X street: _____ QTH Hwy/Rd/ _____ QTH Mi Mkr _____ QTH Lat/long: _____ QTH Section: _____ Township _____ Range _____		/N NO SMOKE / FIRE OR EMBERS VISBLE /TLV [TERRAIN LIMITING VIEW] OR /F FIRE VISIBLE /C COLUMN / PLUME OF SMOKE VISIBLE /G COLUMN / PLUME OF SMOKE GOING Verticle. /D Direction / Bearing may not be accurate – can't see base . /L Direction / Bearing may not be accurate – COLUMN / PLUME LEANG: N NE E SE S SW W NW. /E EMBERS VISIBLE IN AIR /AZ DIRECTION for above M T AZIMUTH/BEARING from my QTH. /ML EST. MILES		/O SMOKE ODOR /NP ___ = NONE PRESENT /LT ___ = LIGHT /MOD ___ = Modrate /HVY ___ = HEAVY - STRONG		/W Wind OUT OF: [CIRCLE] "NORTH" "EAST" "SOUTH" "WEST" /AZ Direct [Av. DEGREES] M T /VAR M T WIND SPEED [INSERT MPH] /MPH _____		GENERAL ATMOSPHERIC SMOKE HAZE CONDITIONS: [SEE FMT M7] /NP = NONE PRESENT /GA (GEN AREA) /AZ T M OR "N" "E" "S" "W" /NP /LT /MOD /HVY /SPT = SPOT @ /AZ T M /ML EST miles /LT /MOD /HVY /AZ T M OR "N" "E" "S" "W" /NP /LT /MOD /HVY	
SMOKE CHECK REPORT INTAKE FORM - COMPLETE EACH COLUMN - PLAIN ENGLISH - <b>READ ATTACHED INSTRUCTIONS</b> TRIANGULATION STNS: POST TO MAP (FMT ROMEO 9A) AND FMT KILO.				/API (QTH) _____ [index value] _____ [If have computr ] EG., "API ORION 43" [AIR PARTICULATE INDEX] FMT M7D							

**ABOVE IS SMOKE CHECK REPORT INTAKE FORM - FORMAT TANGO 4. TO MAKE BLANK REPORTS THE NCS, RELAY CONTROL, MAPPING, TRIANGULATION STATIONS, AREA LEADS, AND STATIONS MAKING REPORTS (SO YOU FOLLOW THE FORMAT), ARE GO TO PAGE ONE AND PRINT OUT PAGE 1. CUT PAGE 1 IN HALF AT LINE AND USE EACH HALF PAGE AS SEPARATE REPORT INTAKE FORM. MAKE MULTIPLE COPIES FOR NET(S). PLEASE READ THIS PAGE AND THE INSTRUCTIONS WHICH FOLLOW.**

### AVERAGING WIND DIRECTION

(THIS IS THE DIRECTION **FROM WHICH** THE WIND IS BLOWING.  
**AND - AVERAGING WIND SPEED**)

#### IF YOU ARE STATIONARY:

1. CONDUCT A **2 MINUTE** OBSERVATION INTERVAL.
2. REPORT **AVERAGE DIRECTION** OF THE WIND DURING OBSERVATION INTERVAL.
3. REPORT YOUR OBSERVATION AS TRUE NORTH OR MAGNETIC.
4. IF THE WIND FLUCTUATES **60 DEGREES OR MORE** DURING THAT 2 MINUTE OBSERVATION INTERVAL, REPORT AS **"VARIABLE WIND"** giving the directions and average – See Examples below.
5. WIND **SPEED** – REPORT **AVERAGE** WIND SPEED DURING OBSERVATION INTERVAL.

#### EXAMPLES: (See\*\*\*)

Variable wind from 180E to 240E  
 True North at 10 MPH recorded as:

• Wind is **OUT OF:**

• /AZ 210 [OR /AZ SSW]  
 (AVERAGE Degrees: 210)

• Magn \_\_\_ T\_x\_\_

• /VAR \_180 240\_

The MPH would be recorded AFTER "/MPH".

Wind is consistent from 180 degrees True  
 North at 10 MPH, recorded as

• Wind is **OUT OF:**

• /AZ 180 [OR /AZ S]  
 (AVERAGE Degrees: 180)

• Magn \_\_\_ T\_x\_\_

• /VAR \_\_\_\_\_

The MPH would be recorded AFTER "/MPH".

#### IF YOU ARE MOBILE (DRIVING) - provide:

1. State "QWT" & Your QTH (Road you'r driving on) & Rd Marker or Cross Street.
2. Your /ODT (OBJECTS DIRECTION OF TRAVEL).
3. YOUR OBSERVATIONS (E.G., SMOKE, FIRE, ETC...).

Example: "K6\_\_\_ QWT, East Bound Highway 44, marker 10.77  
 "smoke column, ENE approx 5 miles, end report, OUT"  
 or NOTHING OBSERVED, ETC...).

Note: your observations will necessarily be more limited .

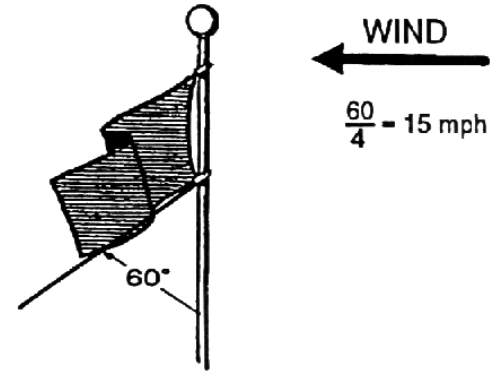
Drive safely, obey traffic laws. Stop in safe location to provide report of what you observed from the prior location at which you made the observations

#### IF YOU KNOW OF A FIRE OR SMOKE - CALL 911

**NOTE: FORMAT TANGO 4 IS A FORMAL SMOKE CHECK.**

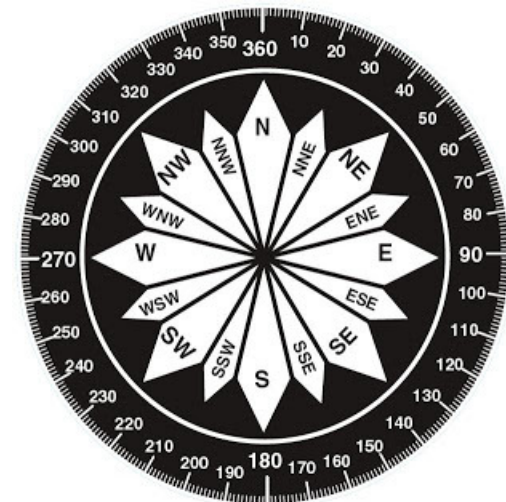
**THIS IS NOT THE QWA ABBREVIATED PROCEDURE !**

### Estimating Wind Speed – Also see Beaufort Wind Chart, next page



\*\*\* Examples based upon - NATIONAL WEATHER SERVICE OBSERVING HANDBOOK NO. 8 AVIATION WEATHER OBSERVATIONS for Supplementary Aviation Weather Reporting Stations (SAWRS) MANUAL OBSERVATIONS OCTOBER 1996 (w/ MODIFICATIONS FOR SER REPTING PURPOSES).

### 16 Point Compass



<b>[USE MPH WHEN REPORTING]</b>		
<b>Estimating Winds Speeds – Beaufort Wind Chart (Partial)</b>		
<b>mph</b>	<b>Terminology</b>	<b>Description</b>
<b>&lt;1</b>	Calm	<b>Still, calm air, smoke will rise vertically.</b> Water is mirror-like.
<b>1-3 mph</b>	Light Air	<b>Rising smoke drifts, wind vane is inactive.</b> Small ripples appear on water surface.
<b>4-7 mph</b>	Light Breeze	<b>Leaves rustle, can feel wind on your face, wind vanes begin to move.</b> Small wavelets develop, crests are glassy.
<b>8-12 mph</b>	Gentle Breeze	<b>Leaves and small twigs move, light weight flags extend.</b> Large wavelets, crests start to break, some whitecaps.
<b>13-18 mph</b>	Moderate Breeze	<b>Small branches move, raises dust, leaves and paper.</b> Small waves develop, becoming longer, whitecaps.
<b>19-24 mph</b>	Fresh Breeze	<b>Small trees sway.</b> White crested wavelets (whitecaps) form, some spray.
<b>25-31 mph</b>	Strong Breeze	<b>Large tree branches move, telephone wires begin to "whistle", umbrellas are difficult to keep under control.</b> Larger waves form, whitecaps prevalent, spray.
<b>32-38 mph</b>	Moderate or Near Gale	<b>Large trees sway, becoming difficult to walk.</b> Larger waves develop, white foam from breaking waves begins to be blown.
<b>39-46 mph</b>	Gale or Fresh Gale	<b>Twigs and small branches are broken from trees, walking is difficult.</b> Moderately large waves with blown foam.
<b>47-54 mph</b>	Strong Gale	Slight damage occurs to buildings, shingles are blown off of roofs. ...
<b>55-63 mph</b>	Whole Gale or Storm	Trees are broken or uprooted, building damage is considerable. ...
<b>64-72 mph</b>	Violent Storm	Extensive widespread damage....
<b>73+ mph</b>	Hurricane	Extreme destruction, devastation. ...

<b>CONVERTING MAGNETIC NORTH TO / FROM TRUE NORTH</b>		
<b>DECLINATION - SHINGLETOWN AREA</b>		
<b>[See Format Romeo 7 For Lat/Long Conversions]</b>		
<b>MAGNETIC FIELD BEARING</b>	<b>ADD 14 DEG</b>	<b>= TRUE MAP NORTH BEARING</b>
<b>TRUE MAP NORTH BEARING</b>	<b>SUBTRACT 14 DEG</b>	<b>= MAGNETIC FIELD BEARING</b>

**INSTRUCTIONS [CAUTION THIS IS NOT A SUBSTITUTE FOR 911]. GOAL: ASSIST IN LOCATING FIRE AT UNKNOWN LOCATION.**

• **TO MAKE OBSERVATIONS FROM YOUR QTH, DO A 360 DEGREE SCAN VIEWING GROUND TO SKY – REPORT ALL COLUMN CATEGORIES.**  
[Night: shine bright light into trees to estimate the General Smoke/Haze Conditions (i.e., gen. smoke in the atmosphere)(100 to 200 yrds distant)  
THIS REQUIRES HAM RADIO OPERATORS TO MONITOR THE RELEVANT PLAN FREQUENCIES. USE - FORMAT NOVEMBER, BLOCK 1 and **SCAN THE PLAN.** Base stations should have sufficient equipment to perform Nets using Repeaters AND SIMPLEX operations (e.g., 50 watt or more) in event of repeater failure ( and power backup for power outages). The need for Area Relays should be expected and practiced. USE FORMAT TANGO 4A FOR MOBILE FIELD SMOKE SEARCHES.

- **ALWAYS CALL 911 FIRST! (NOTE: IF THIS IS AN EMERGENCY, YOU SMELL SMOKE, SEE FIRE, ETC CALL 911 FIRST).**
- EXAMPLE FOR USE OF THIS FORMAT: YOU SMELL SMOKE, BUT DON'T KNOW WHERE THE POTENTIAL FOREST FIRE IS – BUT YOU HAVE ALREADY CALLED 911.
- If you are the 1<sup>ST</sup> PERSON REPORTING ON FREQUENCY, THEN SET UP DIRECTED NET (USE **FORMAT K1**).
- PURPOSE – GATHER SMOKE CHECK REPORT INFORMATION TO ASSIST FIRE DEPARTMENT IN LOCATING FIRE (ESPECIALLY AT NIGHT). YOU WANT OBSERVATIONS FROM ANY STATION'S CURRENT LOCATION – DO NOT GO OUT LOOKING FOR PROBLEMS.
- REQUEST REPORTS FROM STATIONS ON FREQUENCY ( THAT INCLUDES STATIONS WHICH DON'T SMELL SMOKE AS THAT INFORMATION MAY BE VERY IMPORTANT). MAKE SUPPLEMENTAL CALL TO 911 WITH RELEVANT RESULTS OF THIS PROCEDURE.

••• **REPORT EXAMPLE ON VOICE** **INITIAL REPORTS ARE IN PLAIN ENGLISH FOR EACH COLUMN !!**

**“SMOKE REPORT K6ABC FORMAT TANGO 4 QTH Hwy 44 MI MARKER xx” , “SMOKE CLOUD VISIBLE, NORTH OF MY LOCATION approx 2 MILES” “SMOKE ODOR STRONG” “WIND IS OUT OF NORTH ” “WIND SPEED figures 10 MPH” “General Atmospheric Smoke/Haze Conditions, North, Heavy” “OUT” . Net control responds “ROGER”.**

•• **NOTE: PLEASE GO SLOWLY AS NET CONTROL MUST RECORD YOUR INFORMATION ACCURATELY SO THAT IT MAY BE PROPERLY POSTED TO MAPS FOR ANALYSIS AND REPORTING. NCS WILL ASK FOR “SMOKE REPORTS”.**

••• **RELAY EXAMPLE** : SUB SUB CODES ( /A, /B , etc...) used for relay between AREA NET CONTROLS / RELAY STNS).  
THUS: “I have relay of smoke check report –

QRV?” Other station “QRV” – [NOTE: Instead of “QRV?” “QRV” , you can say “are you ready?” response “I am ready”].

THEN START RELAY - - “FORMAT TANGO 4 REPORT NUMBER \_\_\_ [or, say “I have [x] reports to relay”] [continue]

EXAMPLE: **“ QXi S ” OR “SMOKE REPORT RELAY FORMAT TANGO 4”**

**“ /A /RPT 1 K6PDS : /B QTH HWY 44 /MK 3300 : /C /AZ N /ML 2 : /O /HVY : /W /AZ N 310 T /MPH10 : /V /GA /AZ N /HVY . ”**

[PAUSE for fill request BEFORE NEXT REPORT]

**“ /A /RPT 2 W6XYZ : /B DIV 3 N VILLAGE QTH B : /N : /O /NP : /W /AZ 355 T /MPH 7 : /V /NP . ”**

**End, no more. [your call sign] ” Note: “ : ” is said as “colon” ; “ . ” Is said as “period”**


**OTHER STATION replies - “SMOKE CHECK RELAY ACKNOWLEDGED” or “ROGER”**

• ABOVE INFORMATION IS NEXT REVIEWED BY TRIANGULATION STNS AND NET CONTROL, AND POSTED TO AN AREA MAP [USE FMT ROMEO 9A] (OTHER POTENTIALS ARE: GOOGLE EARTH – COMPUTER AND/OR USGS 7.5 MINUTE TOPO - PAPER). LEARN BOTH IN EVENT COMPUTER OPERATIONS NOT POSSIBLE.

• **NET CONTROL THEN calls 911 and advises operator that you are a HAM OPERATOR with this SUPPLEMENTAL SMOKE REPORT NET INFORMATION AND ADVISE THEM OF THE CONCLUSION AS TO THE POTENTIAL SOURCE LOCATION FOR THE SMOKE/FIRE.** GIVE THE CAL FIRE OPERATOR YOUR TELEPHONE NUMBER, NAME AND CALL SIGN SO THEY CAN CONTACT YOU IF NEEDED. CONSIDER DRIVING (OBEYING ALL TRAFFIC LAWS) TO LOCAL CAL FIRE DEPARTMENT TO HAND DELIVER THE MAPPED INFORMATION. You may need to have another station operator perform such task based on situation. CAL FIRE DOES NOT WANT A GROUP OF HAMS CALLING. THERE IS TO BE ONE PERSON CALLING (MOST PROBABLY THAT WHOULD BE NET CONTROL). [REPORTING CRITERIA Based upon TCW Cal. Fire Battalion Chief]. ANALYSIS WILL NEED TO BE DONE TO DETERMINE IF SMOKE / FIRE ATTRIBUTABLE TO EXISTING REPORTED FIRE, OR A NEW INCIDENT. COMPASS USE IS GREATLY ENCOURAGED. “AREA TACTIAL” IS FOR NEIGHBORHOOD / AREA REPORTING EG.. “VILLAGE T1”

Version: 20170506 UPDATE 20190810 SER NETS

## SYMBOLS FOR MAPPING

<b>+</b>	FOR AREA WHERE WINDS ARE VARIABLE.								
<b>O</b>	FOR AREA WHERE <b>NO WIND</b> (AND PUT SMOKE ODOR IN CENTER OF SYMBOL).								
	<table border="1"> <tr> <th colspan="4">SMOKE ODOR CODES:</th> </tr> <tr> <td>"/NP" = NONE PRESENT</td> <td>"/LT" = LIGHT</td> <td>"/MOD" = MODERATE</td> <td>"/HVY" = HEAVY - STRONG</td> </tr> </table>	SMOKE ODOR CODES:				"/NP" = NONE PRESENT	"/LT" = LIGHT	"/MOD" = MODERATE	"/HVY" = HEAVY - STRONG
SMOKE ODOR CODES:									
"/NP" = NONE PRESENT	"/LT" = LIGHT	"/MOD" = MODERATE	"/HVY" = HEAVY - STRONG						
<b>V</b>	Open END toward source of <b>WIND</b> . Then connect via line to the reporting station. Insert in the open "V" end the smoke odor and wind mph e.g., "/MOD 5" = "smoke odor MODERATE, wind speed 5 mph". SEE EXAMPLE ON RIGHT SIDE.								
—	Solid line between wind source, smoke source, flame source and reporting station.								
•	"SPOT"= <b>light or dark area in the general smoke/ haze which may indicate a fire source.</b>								
	Point of closed triangle POINTED TOWARD VISUAL sighting of <b>SMOKE / FIRE</b> with estimated miles in center of triangle. PUT "S" IN CENTER FOR SMOKE PUT "F" IN CENTER FOR FIRE. Put estimated miles in center-e.g., "3" for miles Thus, as in example on right side, in center, of triangle: "F 3" = fire 3 miles								

## SMOKE / FIRE REPORTING NET

[STN REPORTS NEED TO BE SPECIFIC AND AND AS EXACT AS POSSIBLE]  
 See [www.ShastDefense.com](http://www.ShastDefense.com) under Shasta Emergency Radio for updates

### EXAMPLES:



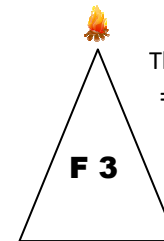
This End Facing Into Wind.

Write in this area of the "V" the Wind Speed and smoke odor level e.g., **" /MOD 5 "** = **"smoke odor Moderate" and Wind Speed "5mph"**



This end on Reporting Location (i.e., **YOUR EXACT LOCATION**)

• Spot (may indicate fire source)



This end toward **fire or smoke** = Fire 3 miles



General Smoke / Haze Conditions

Swirl line Where VISUAL General SMOKE / HAZE CONDITIONS EXIST.  
 LEVELS:  
 Non Present (/NP)  
 Light (/LT)  
 Moderate (/MOD)  
 Heavy - Strong (/HVY)