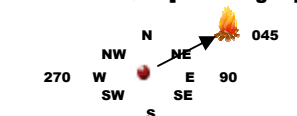
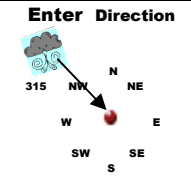
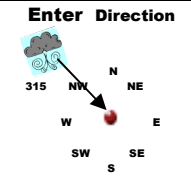


<b>SMOKE CHECK REPORT – STN Taking Rpts:</b>		<b>Call Sign:</b>		<b>Enter info below</b> ✓ Applicable Col		<b>QXi S</b> [Circle Net Freq.] <b>RPT PG. ___ OF ___</b>		
<b>General Area:</b> _____		<b>THIS IS NOT 911 – IF YOU HAVE AN EMERGENCY CALL 911 !</b>						
<b>Date:</b> / / <b>HRS Start:</b> _____		<b>HRS Stop:</b> _____		<b>Incident Name (if any):</b> _____				
"NCS": _____ (CALL SIGN) "Aux": _____ " _____ (TACTICAL) RELAY"/"BU" _____ (CALL SIGN)		<b>Call Sign of STN RPTING</b> _____  _____	<b>Odometer Reading @ start QTH</b> _____  _____	<b>IS - FIRE, SMOKE COL. SMOKE CLOUD -VISIBLE?</b>   FOLLOW /AZ WITH N, S, OR DEGR. (EG., 150). FOR /ML E.G., /ML 5 ETC	<b>SMOKE ODOR</b> (INSERT /QW ___ CODE IF APPLICABLE)  /NP ___ = NONE PRESENT /LT ___ = LIGHT /MOD ___ = Modrate /HVY ___ = HEAVY - STRONG	<b>WIND OUT OF and MPH</b>  Enter Direction 	<b>GENERAL SMOKE / HAZE CONDIT. - Visibility [see FMT M7]</b>  Enter LEVELS & DIRECTION [ /AZ ___ ] FROM YOUR QTH /NP = NONE PRESENT /LT = LIGHT /MOD = MODERATE /HVY = HEAVY-STRONG (INSERT /QW ___ CODE IF APPLICABLE)	
<b>ENTER SPECIFIC QTH FROM WHICH THE REPORT BEING SENT &amp; INFO.</b> [E.G., Street / Cross Streets / address / HGHY & Mile MKR (see FMT ROMEO 6), Lat / Long] <b>IF LOCATION OF FIRE KNOWN-CALL 911 !</b> use ":" (COLON) as separator between report sections. e.g., ... " /N : /O /NP : /W /AZ ..."		Prefix _____  Suffix _____	Odometer Reading For FIELD OPS – NCS POSTS TO MAP YOUR RPTING QTH AS YOU MOVE FROM YOUR START POINT _____  _____	<b>Dirction /AZIMUTH /BEARING FROM YOUR QTH [use 3 digits]</b>  FOLLOW /AZ WITH N, S, OR DEGR. (EG., 150). FOR /ML E.G., /ML 5 ETC	/NP ___ = NONE PRESENT /LT ___ = LIGHT /MOD ___ = Modrate /HVY ___ = HEAVY - STRONG	Enter Direction 	Enter LEVELS & DIRECTION [ /AZ ___ ] FROM YOUR QTH /NP = NONE PRESENT /LT = LIGHT /MOD = MODERATE /HVY = HEAVY-STRONG (INSERT /QW ___ CODE IF APPLICABLE)	
<b>/PG ___ SUB SUB CODE / A1</b> (circle / check/ write in)		<b>/ B1</b>	<b>/B7</b>	<b>SUB SUB CODES: /C /F /N</b>		<b>/O</b>	<b>/ W</b>	<b>/ V [VISIBILITY/HAZE/COND]</b>
/LN 1: Hwy/Rd/QTH Home _____  Mi Mkr Lat/long: _____  Address: _____  X street: _____  IF IN MOVING VHCL: Rd/Hwy _____ /MK _____ /ODT _____ /HRS _____		/ODR _____ Odometer Reading: _____  /HRS _____ Time: _____	/N ___ NO SMOKE/FIRE VISBLE OR /F ___ FIRE VISIBLE /C ___ COLUMN OF SMOKE VISIBLE /AZ ___ AZIMUTH/BEARING from / of my QTH. /ML ___ EST. MILES /QW ___ (if applicable)	/O SMOKE ODOR /NP ___ = NONE PRESENT /LT ___ = LIGHT /MOD ___ = Modrate /HVY ___ = HEAVY - STRONG /QW ___	/W Wind OUT OF: /AZ ___ Direct [Av. DEGREES] M ___ T ___ /VAR _____ /MPH _____ WIND SPEED [INSERT MPH]	/NP ___ NONE PRESENT /ADS ___ All Direc. Same /LT ___ /MOD ___ /HVY ___ /SPT = SPOT @ /AZ ___ T ___ M ___ /ML ___ EST miles /LT ___ /MOD ___ /HVY ___ /QW ___ (if applicable)	/GA (GEN AREA) /AZ ___ Direct /ML ___ EST miles /LT ___ /MOD ___ /HVY ___ /QW ___ (IF applic)	
/LN 2: Hwy/Rd/QTH Home _____  Mi Mkr Lat/long: _____  Address: _____  X street: _____  IF IN MOVING VHCL: Rd/Hwy _____ /MK _____ /ODT _____ /HRS _____		/ODR _____ Odometer Reading: _____  /HRS _____ Time: _____	/N ___ NO SMOKE/FIRE VISBLE OR /F ___ FIRE VISIBLE /C ___ COLUMN OF SMOKE VISIBLE /AZ ___ AZIMUTH/BEARING from / of my QTH. /ML ___ EST. MILES /QW ___ (if applicable)	/O SMOKE ODOR /NP ___ = NONE PRESENT /LT ___ = LIGHT /MOD ___ = Modrate /HVY ___ = HEAVY - STRONG /QW ___	/W Wind OUT OF: /AZ ___ Direct [Av. DEGREES] M ___ T ___ /VAR _____ /MPH _____ WIND SPEED [INSERT MPH]	/NP ___ NONE PRESENT /ADS ___ All Direc. Same /LT ___ /MOD ___ /HVY ___ /SPT = SPOT @ /AZ ___ T ___ M ___ /ML ___ EST miles /LT ___ /MOD ___ /HVY ___ /QW ___ (if applicable)	/GA (GEN AREA) /AZ ___ Direct /ML ___ EST miles /LT ___ /MOD ___ /HVY ___ /QW ___ (IF applic)	
/LN 3: Hwy/Rd/QTH Home _____  Mi Mkr Lat/long: _____  Address: _____  X street: _____  IF IN MOVING VHCL: Rd/Hwy _____ /MK _____ /ODT _____ /HRS _____		/ODR _____ Odometer Reading: _____  /HRS _____ Time: _____	/N ___ NO SMOKE/FIRE VISBLE OR /F ___ FIRE VISIBLE /C ___ COLUMN OF SMOKE VISIBLE /AZ ___ AZIMUTH/BEARING from / of my QTH. /ML ___ EST. MILES /QW ___ (if applicable)	/O SMOKE ODOR /NP ___ = NONE PRESENT /LT ___ = LIGHT /MOD ___ = Modrate /HVY ___ = HEAVY - STRONG /QW ___	/W Wind OUT OF: /AZ ___ Direct [Av. DEGREES] M ___ T ___ /VAR _____ /MPH _____ WIND SPEED [INSERT MPH]	/NP ___ NONE PRESENT /ADS ___ All Direc. Same /LT ___ /MOD ___ /HVY ___ /SPT = SPOT @ /AZ ___ T ___ M ___ /ML ___ EST miles /LT ___ /MOD ___ /HVY ___ /QW ___ (if applicable)	/GA (GEN AREA) /AZ ___ Direct /ML ___ EST miles /LT ___ /MOD ___ /HVY ___ /QW ___ (IF applic)	
/LN 4 : Hwy/Rd/QTH Home _____  Mi Mkr Lat/long: _____  Address: _____  X street: _____  IF IN MOVING VHCL: Rd/Hwy _____ /MK _____ /ODT _____ /HRS _____		/ODR _____ Odometer Reading: _____  /HRS _____ Time: _____	/N ___ NO SMOKE/FIRE VISBLE OR /F ___ FIRE VISIBLE /C ___ COLUMN OF SMOKE VISIBLE /AZ ___ AZIMUTH/BEARING from / of my QTH. /ML ___ EST. MILES /QW ___ (if applicable)	/O SMOKE ODOR /NP ___ = NONE PRESENT /LT ___ = LIGHT /MOD ___ = Modrate /HVY ___ = HEAVY - STRONG /QW ___	/W Wind OUT OF: /AZ ___ Direct [Av. DEGREES] M ___ T ___ /VAR _____ /MPH _____ WIND SPEED [INSERT MPH]	/NP ___ NONE PRESENT /ADS ___ All Direc. Same /LT ___ /MOD ___ /HVY ___ /SPT = SPOT @ /AZ ___ T ___ M ___ /ML ___ EST miles /LT ___ /MOD ___ /HVY ___ /QW ___ (if applicable)	/GA (GEN AREA) /AZ ___ Direct /ML ___ EST miles /LT ___ /MOD ___ /HVY ___ /QW ___ (IF applic)	

### AVERAGING WIND DIRECTION

(THIS IS, THE DIRECTION FROM WHICH THE WIND IS BLOWING.  
AND - AVERAGING WIND SPEED

**IF YOU ARE STATIONARY:**

1. CONDUCT A **2 MINUTE** OBSERVATION INTERVAL.
2. REPORT **AVERAGE DIRECTION** OF THE WIND DURING OBSERVATION INTERVAL.
3. REPORT YOUR OBSERVATION AS TRUE NORTH OR MAGNETIC.
4. IF THE WIND FLUCTUATES **60 DEGREES OR MORE** DURING THAT 2 MINUTE OBSERVATION INTERVAL, REPORT AS **"VARIABLE WIND"** giving the directions and average – See Examples below.
5. **WIND SPEED** – REPORT **AVERAGE** WIND SPEED DURING OBSERVATION INTERVAL.

**EXAMPLES: (See\*\*\*)**

Variable wind from 180E to 240E True North at 10 MPH recorded as:

- /AZ 210 [OR /AZ SSW]  
(AVERAGE Degrees: 210)
- Magn \_\_\_ T\_x\_\_
- /VAR \_180 240\_

The MPH would be recorded AFTER "/MPH".

Wind is consistent from 180 degrees True North at 10 MPH, recorded as

- Wind is OUT OF:
- /AZ 180 [OR /AZ S]  
(AVERAGE Degrees: 180)
- Magn \_\_\_ T\_x\_\_
- /VAR \_\_\_\_\_

The MPH would be recorded AFTER "/MPH".

**IF YOU ARE MOBILE (DRIVING) - provide:**

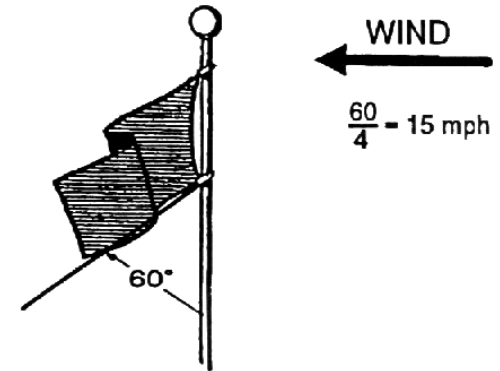
1. State "QWT" & Your QTH (Road you'r driving on) & Rd Marker or Cross Street.
  2. Your /ODT (DIRECTION OF TRAVEL).
  3. YOUR OBSERVATIONS (E.G., SMOKE, FIRE, ETC...).
- Example: "K6\_\_\_ QWT, East Bound Highway 44, marker 10.77  
"smoke column, ENE approx 5 miles, end report, OUT"  
or NOTHING OBSERVED, ETC...).

Note: your observations will necessarily be more limited .

Drive safely, obey traffic laws. Stop in safe location to provide report of what you observed from the prior location at which you made the observations

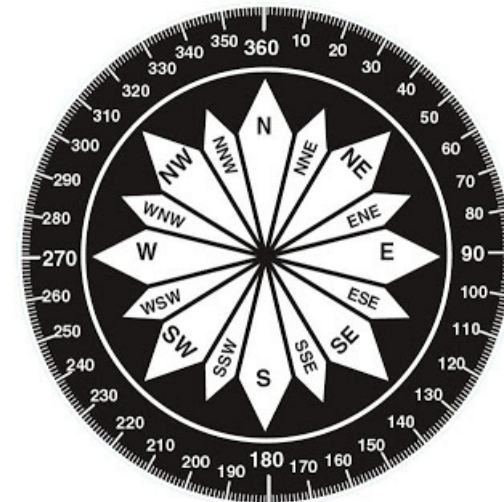
**IF YOU KNOW OF A FIRE OR SMOKE - CALL 911**

**Estimating Wind Speed –**  
Also see Beaufort Wind Chart, next page



\*\*\* Examples based upon - NATIONAL WEATHER SERVICE OBSERVING HANDBOOK NO. 8 AVIATION WEATHER OBSERVATIONS for Supplementary Aviation Weather Reporting Stations (SAWRS) MANUAL OBSERVATIONS OCTOBER 1996 (w/ MODIFICATIONS FOR SER REPTING PURPOSES).

**16 Point Compass**



<b>Estimating Winds Speeds – Beaufort Wind Chart (Partial)</b>		
<b>mph</b>	<b>Terminology</b>	<b>Description</b>
<1	Calm	<b>Still, calm air, smoke will rise vertically.</b> Water is mirror-like.
1-3 mph	Light Air	<b>Rising smoke drifts, wind vane is inactive.</b> Small ripples appear on water surface.
4-7 mph	Light Breeze	<b>Leaves rustle, can feel wind on your face, wind vanes begin to move.</b> Small wavelets develop, crests are glassy.
8-12 mph	Gentle Breeze	<b>Leaves and small twigs move, light weight flags extend.</b> Large wavelets, crests start to break, some whitecaps.
13-18 mph	Moderate Breeze	<b>Small branches move, raises dust, leaves and paper.</b> Small waves develop, becoming longer, whitecaps.
19-24 mph	Fresh Breeze	<b>Small trees sway.</b> White crested wavelets (whitecaps) form, some spray.
25-31 mph	Strong Breeze	<b>Large tree branches move, telephone wires begin to "whistle", umbrellas are difficult to keep under control.</b> Larger waves form, whitecaps prevalent, spray.
32-38 mph	Moderate or Near Gale	<b>Large trees sway, becoming difficult to walk.</b> Larger waves develop, white foam from breaking waves begins to be blown.
39-46 mph	Gale or Fresh Gale	<b>Twigs and small branches are broken from trees, walking is difficult.</b> Moderately large waves with blown foam.
47-54 mph	Strong Gale	Slight damage occurs to buildings, shingles are blown off of roofs. ...
55-63 mph	Whole Gale or Storm	Trees are broken or uprooted, building damage is considerable. ...
64-72 mph	Violent Storm	Extensive widespread damage....
73+ mph	Hurricane	Extreme destruction, devastation. ...

<b>CONVERTING MAGNETIC NORTH TO / FROM TRUE NORTH</b>		
<b>DECLINATION - SHINGLETOWN AREA</b>		
<b>[See Format Romeo 7 For Lat/Long Conversions]</b>		
<b>MAGNETIC FIELD BEARING</b>	<b>ADD 14 DEG</b>	<b>= TRUE MAP NORTH BEARING</b>
<b>TRUE MAP NORTH BEARING</b>	<b>SUBTRACT 14 DEG</b>	<b>= MAGNETIC FIELD BEARING</b>

**INSTRUCTIONS [CAUTION THIS IS NOT A SUBSTITUTE FOR 911]**

• **TO MAKE OBSERVATIONS FROM YOUR QTH, DO A 360 DEGREE SCAN VIEWING GROUND TO SKY [follow QWA procedures].**  
[Night: shine bright light into trees to estimate the General Smoke/Haze Conditions (i.e., gen. smoke in the atmosphere)(100 to 200 yrds distant)  
**THIS REQUIRES HAM RADIO OPERATORS TO MONITOR THE RELEVANT PLAN FREQUENCIES. USE - FORMAT NOVEMBER, BLOCK 1 and SCAN THE PLAN.** Base stations should have sufficient equipment to perform Nets using Repeaters AND SIMPLEX operations (e.g., 50 watt or more) in event of repeater failure ( and power backup for power outages). The need for Area Relays should be expected and practiced.

Note: /B7 was modified for use by Field Ops. Thus, Vehicle reports mileage (AND time e.g., "2010 hrs") from start position so Net Control can post exact location to map and time Station at that location (and done for each subsequent reporting location). TIME IS STATED FOR FIELD MOBILE OPS (TO KEEP TRACT OF MOBILE OPS FOR SAFETY). COMPARE, FOR NET REPORTS BELOW (NON FIELD OPS), TIME IS DEEMED TO BE THE TIME OF THE NET AND TIME NEED NOT BE STATED DURING NET.

•••→→→ **RELAY EXAMPLE**: SUB SUB CODES ( /A1, /B1, /C etc...) used for relay between area net controls).

THUS: "I have relay of smoke check report -

QRV?" Other station "QRV" - [NOTE: Instead of "QRV?" "QRV", you can say "are you ready?" response "I am ready"].

THEN START RELAY - - "page 1, line 1 [or, say "I have [x] reports to relay"] [continue]

EXAMPLE: " QXi S /PG 1"

" /LN 1 /A1 QTH HWY 44 /MK 3300 : /B1 k6xyz : /C /AZ NW /ML 3 : /O /MOD : /W /AZ NW 310 T /MPH 5 : /V /GA /AZ N /MOD ."  
[PAUSE for fill request]

" /LN 2 /B1 W6BEN : /N : /O /NP : /W /AZ 355 T /MPH 7 : /V /NP . End, no more. [your call sign] "

OTHER STATION replies - "SMOKE CHECK RELAY ACKNOWLEDGED" or "ROGER"

- YOU SMELL SMOKE, BUT DON'T KNOW WHERE THE POTENTIAL FOREST FIRE IS. (NOTE: IF THIS IS AN EMERGENCY or you know the fire location, THEN CALL 911).
- If you are the 1<sup>ST</sup> PERSON REPORTING ON FREQUENCY, THEN SET UP DIRECTED NET (USE **FORMAT K4R - SMOKE NET COLUMN**).
- PURPOSE - GATHER SMOKE CHECK REPORT INFORMATION TO ASSIST FIRE DEPARTMENT IN LOCATING FIRE (ESPECIALLY AT NIGHT). YOU WANT OBSERVATIONS FROM ANY STATION'S CURRENT LOCATION - DO NOT GO OUT LOOKING FOR PROBLEMS.
- REQUEST REPORTS FROM STATIONS ON FREQUENCY ( THAT INCLUDES STATIONS WHICH DON'T SMELL SMOKE AS THAT INFORMATION MAY BE VERY IMPORTANT).
- ASK FOR STATIONS TO REPORT IN GROUPS OF 5 (STATIONS INITIALLY PROVIDE CALL SIGN SUFFIX ONLY). NET CONTROL WRITES EACH DOWN IN CALL SIGN COLUMN.

•••→→→ **REPORT EXAMPLE**: NET CONTROL THEN GOES THROUGH EACH GROUP OF 5 CALL SIGNS - OBTAINING FULL CALL SIGNS, LOCATIONS, AND REPORTS. *Example of Report on VOICE*: This is "K6ABC MY QTH IS Hwy 44 MI MARKER xx", "SMOKE CLOUD VISIBLE, NORTH OF MY LOCATION approx 2 MILES" "SMOKE ODOR STRONG" "WIND IS OUT OF NORTH" "WIND SPEED figures 10 MPH" "General Smoke/Haze Conditions, North, Heavy" "OUT". Net control responds "ROGER".

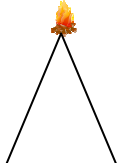
•• **NOTE: PLEASE GO SLOWLY AS NET CONTROL MUST RECORD YOUR INFORMATION ACCURATELY SO THAT IT MAY BE PROPERLY POSTED TO MAPS FOR ANALYSIS AND REPORTING.**

• NET CONTROL THEN MOVES TO THE NEXT FIVE STATIONS CALLING IN, ETC...

• ABOVE INFORMATION IS NEXT REVIEWED BY NET CONTROL AND POSTED TO AN AREA MAP (E.G., GOOGLE EARTH - COMPUTER AND/OR USGS 7.5 MINUTE TOPO - PAPER). LEARN BOTH IN EVENT COMPUTER OPERATIONS NOT POSSIBLE.

• **NET CONTROL THEN calls 911 and advises operator that you are a HAM OPERATOR with SMOKE REPORT NET INFORMATION AND ADVISE THEM OF THE CONCLUSION AS TO THE POTENTIAL SOURCE LOCATION FOR THE SMOKE/FIRE.** REQUEST CAL FIRE CALL BACK FOR MORE DETAILS. GIVE THE OPERATOR YOUR TELEPHONE NUMBER, NAME AND CALL SIGN. CONSIDER DRIVING (OBEYING ALL TRAFFIC LAWS) TO LOCAL CAL FIRE DEPARTMENT TO HAND DELIVER THE MAPPED INFORMATION. You may need to have another station operator perform such task based on situation. CAL FIRE DOES NOT WANT A GROUP OF HAMS CALLING. THERE IS TO BE ONE PERSON CALLING (MOST PROBABLY THAT WHOULD BE NET CONTROL). [REPORTING CRITERIA Based upon TCW Cal. Fire Battalion Chief] .

Version: 20170506 Shasta Emergency Radio Nets /sokerrt  
**SYMBOLS FOR MAPPING**

<b>+</b>	<b>FOR AREA WHERE WINDS ARE VARIABLE.</b>				
<b>O</b>	<b>FOR AREA WHERE NO WIND (AND PUT SMOKE ODOR IN CENTER OF SYMBOL).</b>				
	<b>SMOKE ODOR CODES:</b>				
	<table border="1" style="width: 100%; text-align: center;"> <tr> <td>"/NP" = NONE PRESENT</td> <td>"/LT" = LIGHT</td> <td>"/MOD" = MODERATE</td> <td>"/HVY" = HEAVY - STRONG</td> </tr> </table>	"/NP" = NONE PRESENT	"/LT" = LIGHT	"/MOD" = MODERATE	"/HVY" = HEAVY - STRONG
"/NP" = NONE PRESENT	"/LT" = LIGHT	"/MOD" = MODERATE	"/HVY" = HEAVY - STRONG		
<b>V</b>	<b>Open END toward source of wind. Then connect via line to the reporting station. Insert in the open "V" end the smoke odor and wind mph e.g., "/MOD 5" = "smoke odor MODERATE, wind speed 5 mph". SEE EXAMPLE ON RIGHT SIDE.</b>				
—	<b>Solid line between wind source, smoke source, flame source and reporting station.</b>				
●	<b>"SPOT"= light or dark area in the general smoke/ haze which may indicate a fire source.</b>				
	<p><b>Point of closed triangle POINTED TOWARD VISUAL sighting of smoke / fire with estimated miles in center of triangle.</b></p> <p><b>PUT "S" IN CENTER FOR SMOKE</b>  <b>PUT "F" IN CENTER FOR FIRE.</b>  <b>Put estimated miles in center-e.g., "3" for miles</b>  <b>Thus, as in example on right side, in center, of triangle: "F 3" = fire 3 miles</b></p>				

**SMOKE / FIRE REPORTING NET**

[STN REPORTS NEED TO BE SPECIFIC AND AND AS EXACT AS POSSIBLE]  
 See [www.ShastDefense.com](http://www.ShastDefense.com) under Shasta Emergency Radio for updates

**EXAMPLES:**



This End Facing Into Wind.

**/MOD 5**



This end on Reporting Location (i.e., YOUR EXACT LOCATION)

Write in this area of the "V" the Wind Speed and smoke odor level e.g., **"/MOD 5" = "smoke odor Moderate" and Wind Speed "5mph"**

● **Spot (may indicate fire source)**



This end toward **fire or smoke** = Fire 3 miles

**F 3**



Swirl line Where VISUAL General SMOKE / HAZE CONDITIONS EXIST. LEVELS:

Light (/LT)  
 Moderate (/MOD)  
 Heavy - Strong (/HVY)